

Part number:

**HYDROMA**

HYDRAULICKÉ SYSTÉMY

**HIDROMA  
SYSTEMS**

UKŁADY HYDRAULICZNE

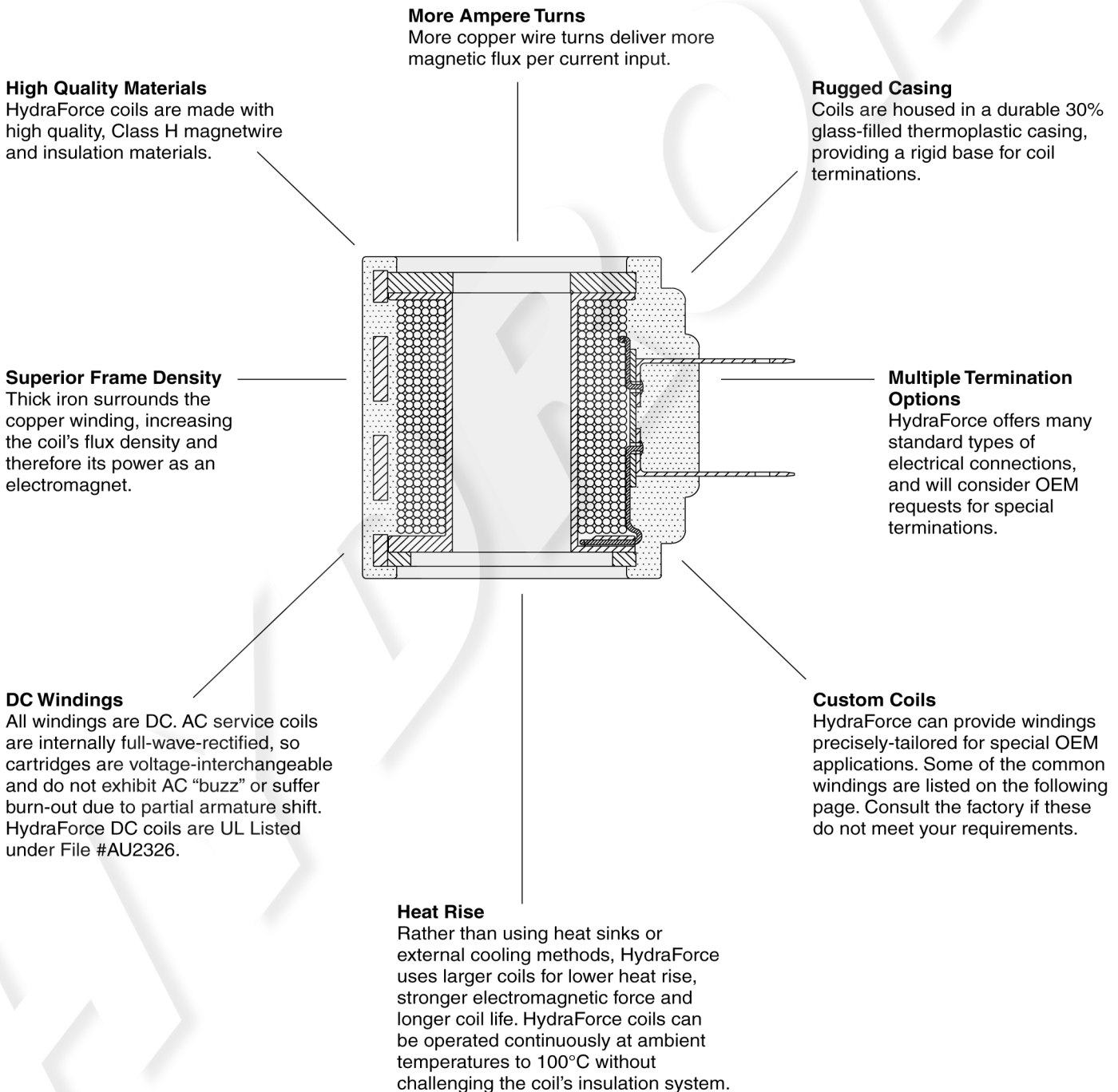
**HYDROMA**

ГИДРАВЛИЧЕСКИЕ СИСТЕМЫ

## COILS AND ELECTRONIC CONTROLS

### ***Standard Coils and Proportional Valve Coils***

#### WHY HYDRAFORCE STANDARD COILS OUTPERFORM COMPETITIVE UNITS



# Standard Coils and Proportional Valve Coils

## COMMON WINDING SPECIFICATIONS

08, 80 Size Coil Data (14.7 Watts)		
Volts	Resistance (DC) @ 20°C Ohms	Initial Current Draw Amps
<b>DC Service</b>		
6*	2.46	2.44
10	6.8	1.47
12	9.8	1.22
20*	27.2	0.74
24	39.3	0.61
30*	61.4	0.49
36	88.3	0.41
48	156.6	0.31
72*	352.4	0.20
<b>AC Service</b>		
24	31.2	0.61
115	765.5	0.13
230	3035.0	0.06

\*Special Order Coils

10, 38, 58, 12, 52, 16, 56 Size Coil Data (20 Watts)		
Volts	Resistance (DC) @ 20°C Ohms	Initial Current Draw Amps
<b>DC Service</b>		
6*	1.8	3.33
10	4.8	2.08
12	7.2	1.67
20*	19.0	1.05
24	28.8	0.83
30*	43.2	0.69
36	64.8	0.56
48	110.2	0.44
72*	249.8	0.29
<b>AC Service</b>		
24	23.6	0.83
115	568.0	0.17
230	2304.0	0.09

\*Special Order Coils

70 Size Coil Data Proportional Coil Data		
Volts	Resistance (DC) @ 20°C Ohms	Nominal I-Max. Current Draw Amps
12	5.0	1.50
24	20.0	0.75

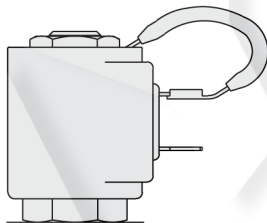
EHPR Coil Data Proportional Coil Data		
Volts	Resistance (DC) @ 20°C Ohms	Nominal I-Max. Current Draw Amps
10	3.1	1.50
12	5.4	1.20
20	12.5	0.75
24	21.7	0.60

## COIL INFORMATION

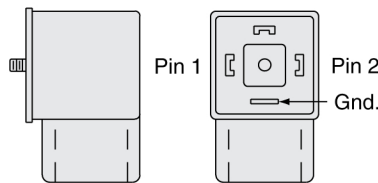
- AC service coils are internally rectified, and can be used in 50 or 60 cycle (Hz) lines.
- Special voltages and terminations are available for OEM applications; consult factory.
- Coil should always be installed with lettering facing up.
- Standard coils are not hermetically sealed. For applications requiring water- or weather-resistant coils, see page 3.400.1
- AC voltage service with transient surges over 1000 volts may require that a varistor be placed in parallel at the coil.
- EG option coils do not use ground terminal. Pins 1 and 2 are not polarity-sensitive.

Voltage	Varistor Part No.	Joule Rating Required
115	GE: V150LA10A Siemens: S10R150 or equivalent	45 minimum
230	GE: V250LA40A Siemens: S20R250 or equivalent	130 minimum

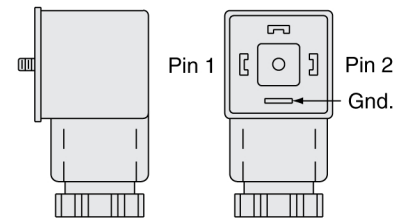
## COIL ACCESSORIES



**Coil Ground Strap  
for DS Coils**  
HF Part No. 6502200



**DIN 43650  
1/2" Conduit to Connector**  
HF Part No. 6110001

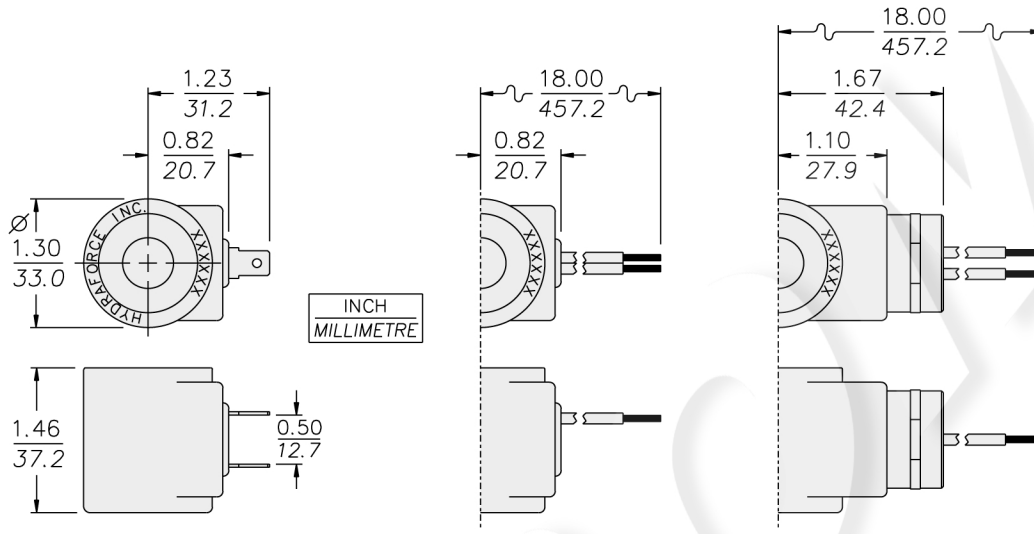


**DIN 43650  
Cable Gland PG 9**  
(7 mm nominal cable diameter)  
HF Part No. 6110002  
**or** Cable Gland PG 11  
(9 mm nominal cable diameter)  
HF Part No. 6110005

# COILS AND ELECTRONIC CONTROLS

## Standard Coils and Proportional Valve Coils

### SERIES 08, 80, 88, 98 COIL INFORMATION



**S**  
Dual Spades  
SAE J858a

[Coil 08\\_DS STP Files](#)

**L**  
Dual Leads  
18 Gauge

Optional 36-inch leads available. Consult factory.

[Coil 08\\_DL STP Files](#)

**P**  
1/2" Conduit &  
18 Gauge Leads

[Coil 08\\_AP STP Files](#)

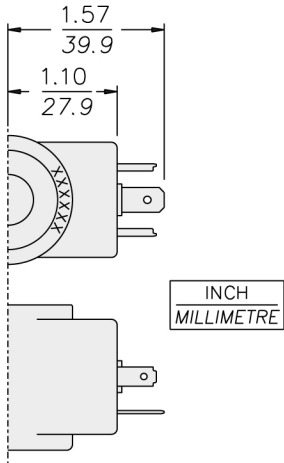
Voltage	Part Number Suffix		
	S	L	P
10 VDC	6301010	6302010	
12 VDC	6301012	6302012	6305012
24 VDC	6301024	6302024	6305024
36 VDC	6301036	6302036	
*24 VAC			6315024
*115 VAC			6315115
*230 VAC			6315230

\*Rectified

Coil Weight: 110 g. (4.0 oz.)

# Standard Coils and Proportional Valve Coils

## SERIES 08, 80, 88, 98 COIL INFORMATION

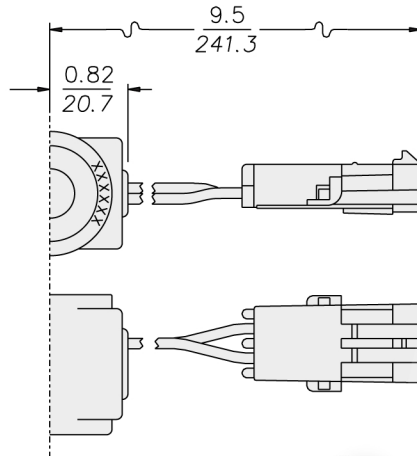


**G**

**DIN 43650 Connector**

Pins 1 and 2 are not polarity-sensitive. Ground pin is not used.

[Coil 08\\_DG STP Files](#)

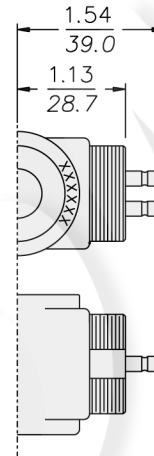


**W**

**Dual 18 Gauge Leads with Weather Pack® Connector**

For use with Packard part no. 12015792 female plug

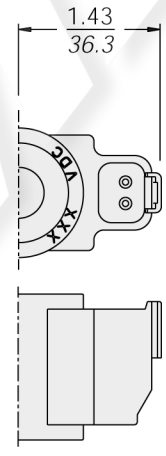
[Coil 08\\_DLW STP Files](#)



**K**

**Kostal Connector**

DK Coils; U.K. availability only.



**DR**

**Integral Deutsch Connector**

DR Models without Diode  
DR/D Models with Diode  
DR/Z Models with Zener Diode

**Mating Connector:**  
Deutsch No. DT06-2S  
HF Part No. 4001417

[Coil 08\\_DR STP Files](#)

Voltage	Part Number Suffix					
	G	W	K	DR	DR/D	DR/Z
10 VDC	6306010	6309410				
12 VDC	6306012	6309412	6348812	4301512	4301872	4301852
24 VDC	6306024	6309424	6348824	4301524	4301874	4301854
36 VDC	6306036	6309436				
*24 VAC	6316024					
*115 VAC	6316115					
*230 VAC	6316230					

\*Rectified

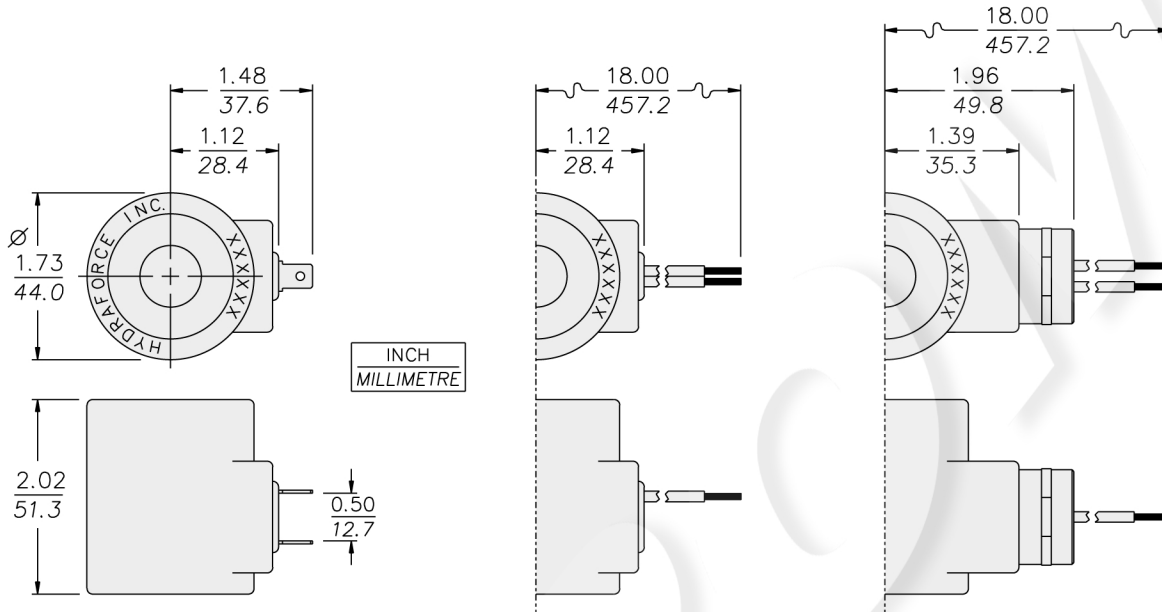
Coil Weight: 110 g. (4.0 oz.)



# COILS AND ELECTRONIC CONTROLS

## Standard Coils and Proportional Valve Coils

### SERIES 10, 12, 16, 38, 58 COIL INFORMATION



**S**  
Dual Spades  
SAE J858a

[Coil\\_10\\_DS STP Files](#)

**L**  
Dual Leads  
18 Gauge

Optional 36-inch leads available. Consult factory.

[Coil\\_10\\_DL STP Files](#)

**P**  
1/2" Conduit &  
18 Gauge Leads

[Coil\\_10\\_AP STP Files](#)

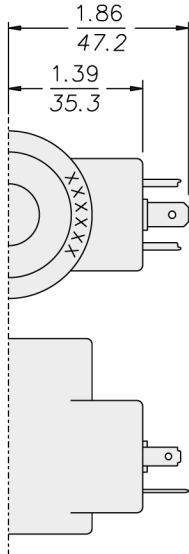
Voltage	Part Number Suffix		
	S	L	P
10 VDC	6351010	6352010	
12 VDC	6351012	6352012	6355012
24 VDC	6351024	6352024	6355024
36 VDC	6351036	6352036	
*24 VAC			6365024
*115 VAC			6365115
*230 VAC			6365230

\*Rectified

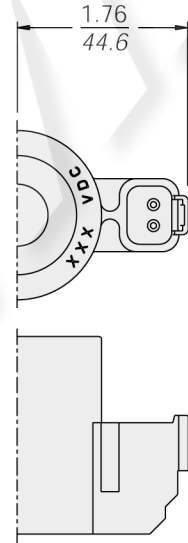
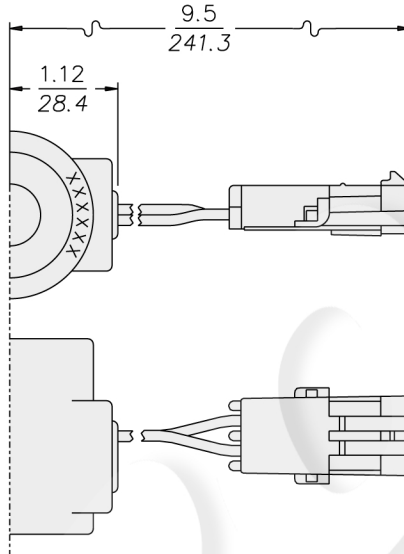
Coil Weight: 270 g. (9.6 oz.)

# Standard Coils and Proportional Valve Coils

## SERIES 10, 12, 16, 38, 58 COIL INFORMATION



INCH  
MILLIMETRE



**G**

**DIN 43650  
Connector**

Pins 1 and 2 are not  
polarity-sensitive.  
Ground pin is not used.

[Coil 10\\_DG STP Files](#)

**W**

**Dual 18 Gauge Leads with  
Weather Pack® Connector**

For use with Packard  
part no. 12015792 female plug

[Coil 10\\_DLW STP Files](#)

**DR**

**Integral Deutsch  
Connector**

DR Models without Diode  
DR/D Models with Diode  
DR/Z Models with Zener Diode

**Mating Connector:**  
Deutsch No. DT06-2S  
HF Part No. 4001417

[Coil 10\\_DR STP Files](#)

Voltage	Part Number Suffix				
	G	W	DR	DR/D	DR/Z
10 VDC		6359410		4301891	
12 VDC	6356012	6359412	4301612	4301892	4301862
20 VDC				4301893	
24 VDC	6356024	6359424	4301624	4301894	4301864
36 VDC	6356036	6359436			
*24 VAC	6366024				
*115 VAC	6366115				
*230 VAC	6366230				

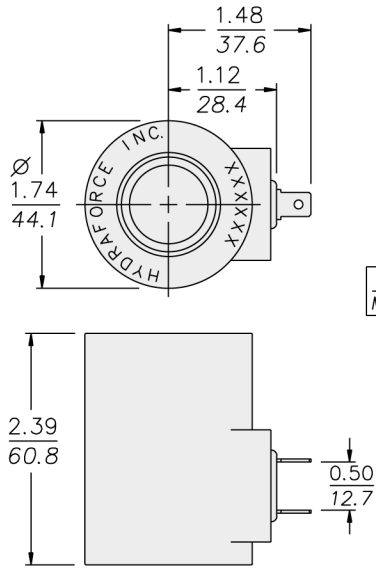
\*Rectified

Coil Weight: 270 g. (9.6 oz.)

# COILS AND ELECTRONIC CONTROLS

## Proportional Valve Coils

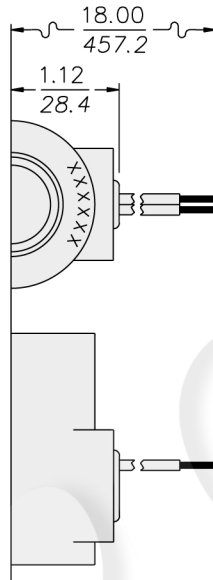
### SIZE 70 COIL INFORMATION



INCH  
MILLIMETRE

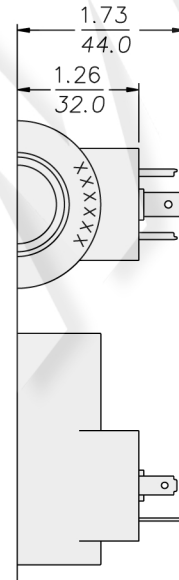
**S**  
Dual Spades  
SAE J858a

[Coil 70\\_DS STP Files](#)



**L**  
Dual Leads  
18 Gauge

[Coil 70\\_DL STP Files](#)



**G**  
DIN 43650  
Connector  
Pins 1 and 2 are not  
polarity-sensitive.  
Ground pin is not used.

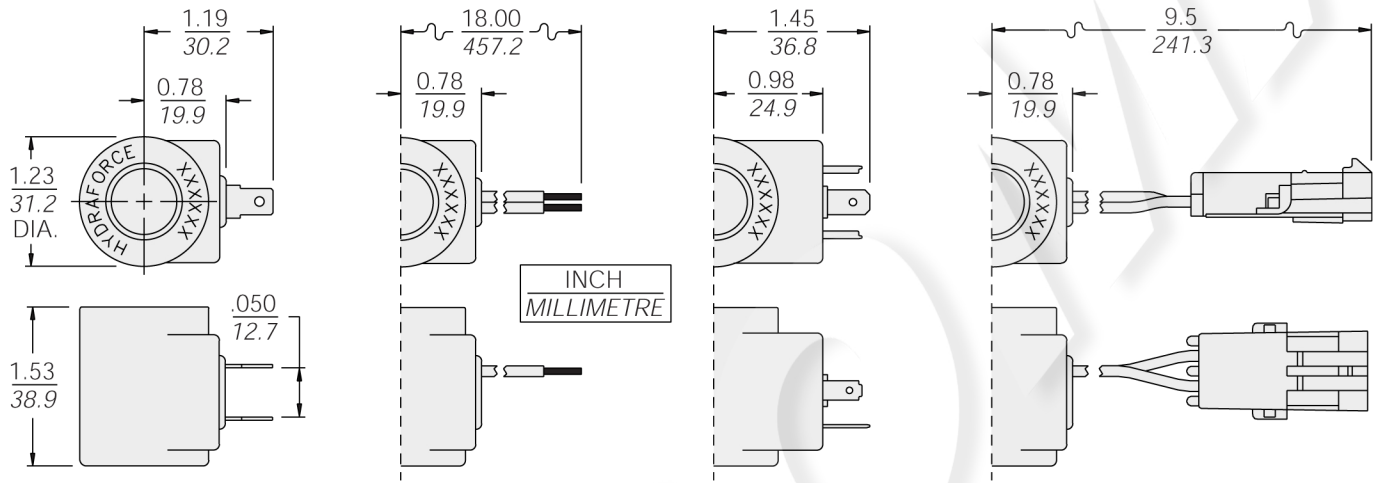
[Coil 70\\_DG STP Files](#)

Voltage	Part Number Suffix		
	S	L	G
12 VDC	6507112	6507212	6507612
24 VDC	6507124	6507224	6507624

Coil Weight: 320 g. (11.2 oz.)

# Proportional Valve Coils

## SERIES EHPR08 COIL INFORMATION



**S**

**Dual Spades  
SAE J858a**

Coil EHPR\_DS  
STP Files

**L**

**Dual Leads  
18 Gauge**

Optional 36-inch leads  
available. Consult factory.

Coil EHPR\_DL  
STP Files

**G**

**DIN 43650  
Connector**

Pins 1 and 2 are not  
polarity-sensitive.  
Ground pin is not used.

Coil EHPR\_DG  
STP Files

**W**

**Dual 18 Gauge Leads with  
Weather Pack® Connector**

For use with Packard  
part no. 12015792 female plug

Coil EHPR\_DLW  
STP Files

Voltage	Part Number Suffix			
	S	L	G	W
12 VDC	6451112	6451212	6451612	6451512
24 VDC	6451124	6451224	6451624	6451524

Coil Weight: 110 g. (4.0 oz.)